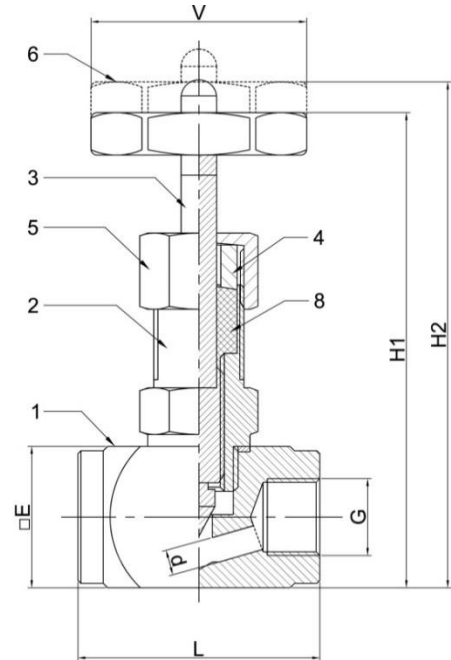
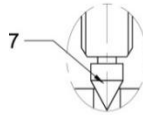


VIE – TWO WAY NEEDLE VALVE – FULL BORE

Needle valves made from bar stock -3000 psi – not rotating tip



		MATERIAL VALVE AISI 316 Code 1'
1	Body	AISI 316
2	Bonnet	AISI 316
3	Stem	AISI 316
4	Packing Nut	AISI 316

		MATERIAL VALVE AISI 316 Code 1'
5	Nut	AISI 316
6	Handwheel (°)	PP
7	Needle type not rotating	AISI 316

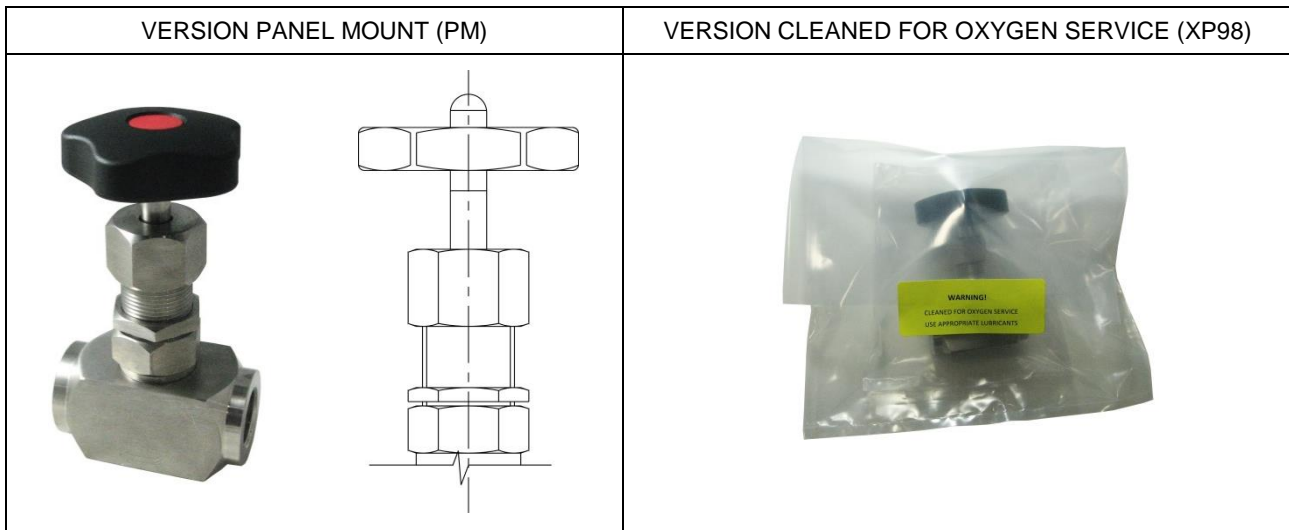
		TYPE	CODE	USE	TEMPERATURE RANGE:
8	Seal	PTFE (Teflon®)	0	STANDARD	-25°C ÷ +200°C
		Graphoil®	6	ON REQUEST	-50°C ÷ +450°C(!)

RATING psi	THREADED BSP-P UNI/ISO 228	ORDER CODE	THREADED NPT ANSI B.1.20.1	ORDER CODE	Ø d [mm]	L [mm]	H1 [mm]	H2 [mm]	□E [mm]	Ø V [mm]
3000	1/8"	VIE-1180-G	1/8"	VIE-1180-N	6	60	110	118	30	50
3000	1/4"	VIE-1140-G	1/4"	VIE-1140-N	6	60	110	118	30	50
3000	3/8"	VIE-1380-G	3/8"	VIE-1380-N	8	65	110	120	35	50
3000	1/2"	VIE-1120-G	1/2"	VIE-1120-N	8	70	110	120	35	64
3000	3/4"	VIE-1340-G	3/4"	VIE-1340-N	12	85	150	160	45	75
3000	1"	VIE-1110-G	1"	VIE-1110-N	15	90	207	225	60	95
3000	1.1/4"	VIE-1540-G	1.1/4"	VIE-1540-N	18	110	217	235	70	95
3000	1.1/2"	VIE-1320-G	1.1/2"	VIE-1320-N	22	120	210	228	70	125
3000	2"	VIE-1420-G	2"	VIE-1420-N	25	130	215	228	70	150

ON REQUEST:	CODE
Version made in galvanized carbon steel –ASTM A 105 with stainless steel interior, painted and pressed steel handwheel. ATTENTION: some of the measures may be different from those indicated above	VIE-0..-
Version with locknut panel mounting	suffix code “ - PM”
Version cleaned for oxygen (only for VIE in stainless steel)	suffix code “ - XP98”

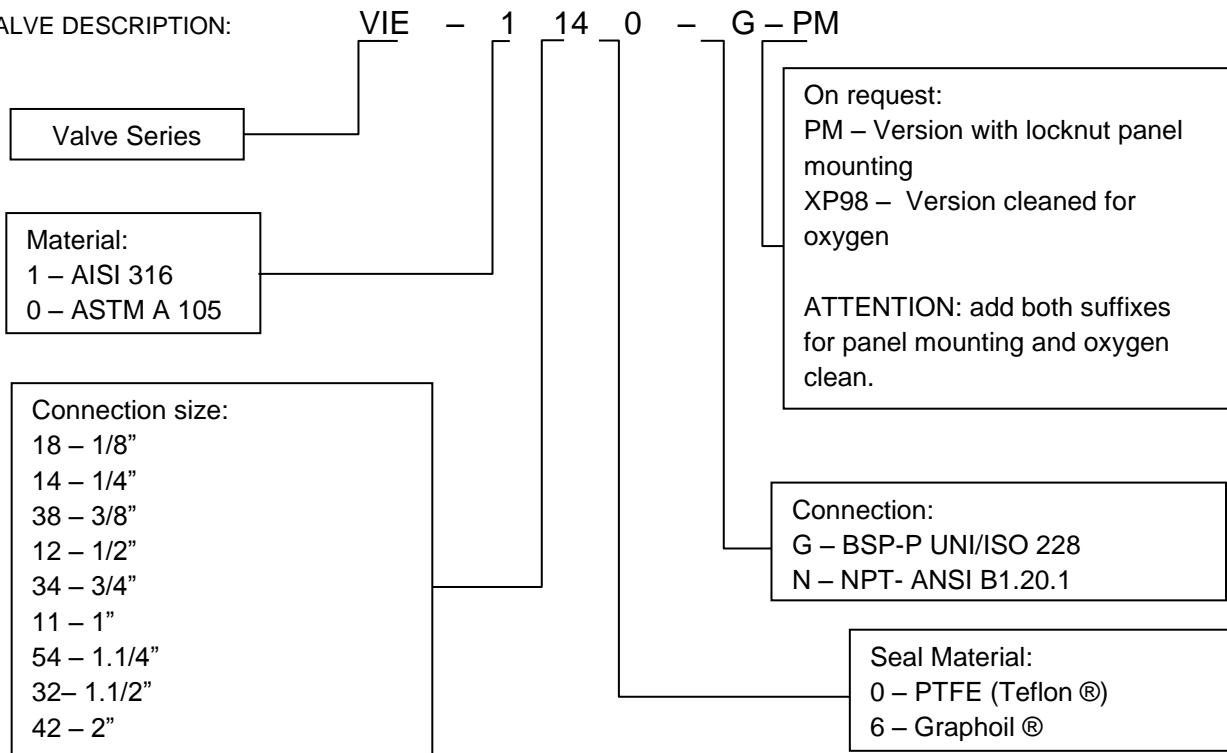
(1) On request seal for temperature until 550°C

(2)Black colour handwheel in pressed steel for sizes: 1.1/4”; 1.1/2”; 2”



HOW TO ORDER

VALVE DESCRIPTION:



For example to order valve 1/4”NPT AISI 316 PTFE seal, with locknut panel mounting and cleaned for oxygen, the ordering code is : VIE – 1140 – N – PM – XP98