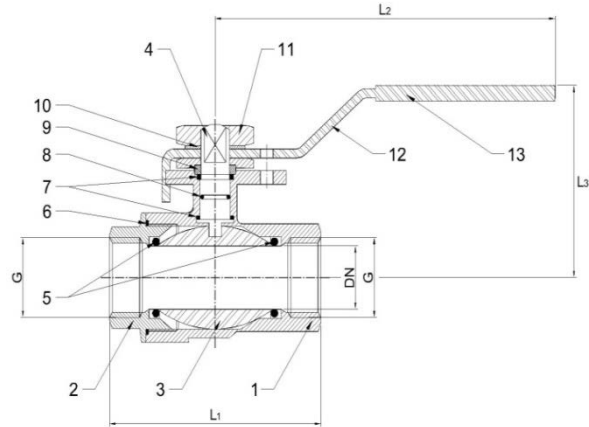


VSB – 2 WAYS BALL VALVES- FULL BORE

Ball valve made of investment casting –1000 psi series– PN 63



		MATERIAL BALL VALVE STANDARD (*)
1	Body	AISI 316
2	Adapter	AISI 316
3	Ball	AISI 316
4	Stem	AISI 316
5	Ball seat	PTFE + 15% Glass fiber
6	Gasket	PTFE
7	Thrust washer	PTFE

		MATERIAL BALL VALVE STANDARD (*)
8	O-Ring	FKM
9	Stem packing	AISI 304
10	Washer	AISI 304
11	Nut	AISI 304
12	Handle	AISI 304
13	Handle sleeve	PVC

	TEMPERATURE RANGE:
Standard seals configuration	-25°C ÷ +180°C

(*)See ordering code system (pag. 3)

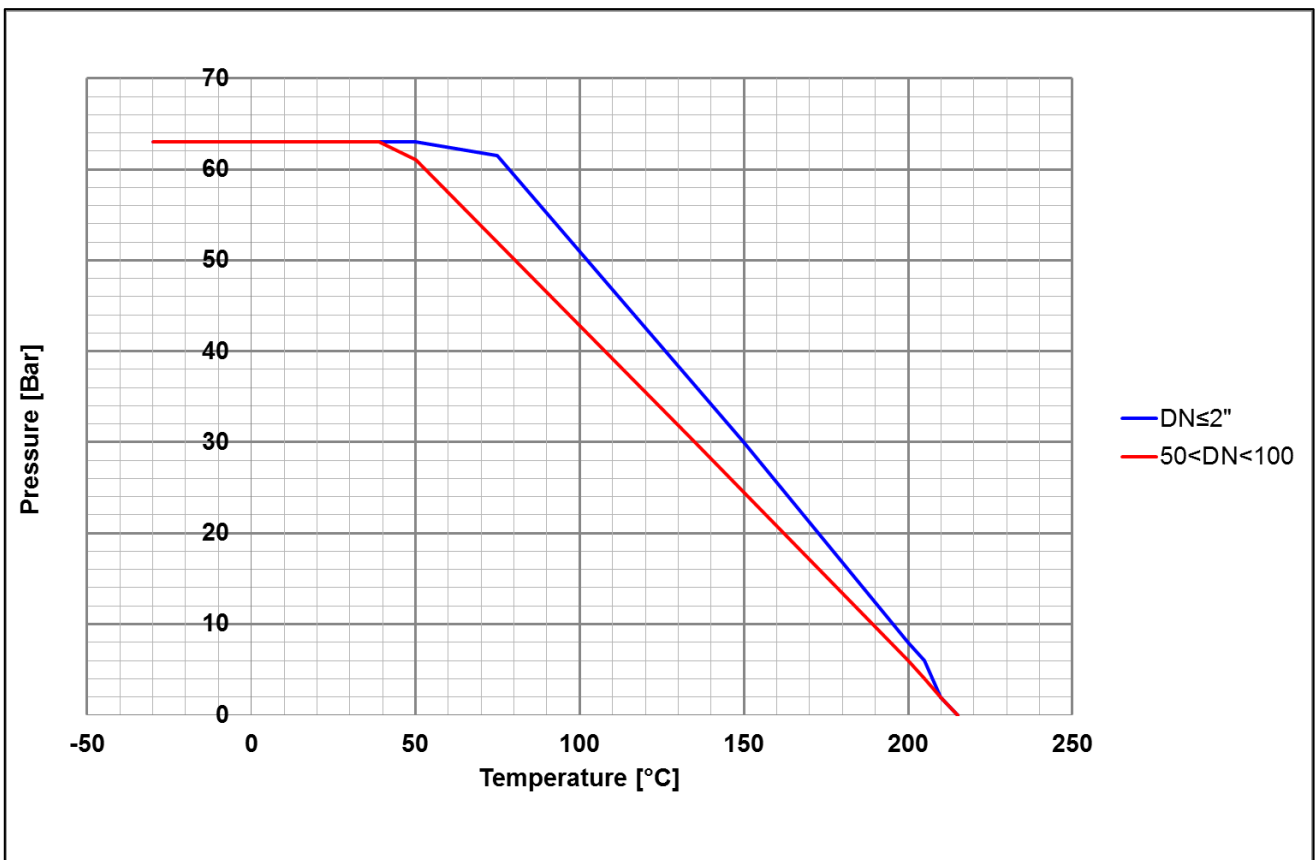
MAX WORKING PRESSURE [Bar]	THREAD Rp UNI-EN 10226-1 (Ex UNI/ISO 7/1 Rp -DIN2999)	ORDER CODE	THREAD		DN [mm]	L ₁ [mm]	L ₂ [mm]	L ₃ [mm]	Kv ⁽¹⁾
			NPT ANSI B.1.20.1	ORDER CODE					
63	1/8"	VS-1180-G	NOT AVAILABLE		8.5	55	100	50	4
63	1/4"	VS-1140-G	1/4"	VS-1140-N	11	50	104	50	6
63	3/8"	VS-1380-G	3/8"	VS-1380-N	12.7	50	104	50	10
63	1/2"	VS-1120-G	1/2"	VS-1120-N	15	55	104	51.5	24
63	3/4"	VS-1340-G	3/4"	VS-1340-N	20.6	70	122	62	43
63	1"	VS-1110-G	1"	VS-1110-N	25.4	83	122	65	83
63	1.1/4"	VS-1540-G	1.1/4"	VS-1540-N	31.8	91	180	82	130
63	1.1/2"	VS-1320-G	1.1/2"	VS-1320-N	38.1	103	180	88	205
63	2"	VS-1420-G	2"	VS-1420-N	50.8	120	219	106	340
63	2.1/2"	VS-1520-G	2.1/2"	VS-1520-N	65	152	230	119	520
63	3"	VS-1620-G	3"	VS-1620-N	80	172	275	135	1100

(1) Kv = the rate of flow of water in cubic meter per hour that will generate a pressure drop of 1 bar across the valve.

VERSION CLEANED FOR OXYGEN SERVICE (X8)



Pressure-Temperature Rating



HOW TO ORDER

VALVE DESCRIPTION:

VSB - 1 14 0 - G - X8

Valve series

Material:
1 – AISI 316

Connection size:
18 – 1/8"
14 – 1/4"
38 – 3/8"
12 – 1/2"
34 – 3/4"
11 – 1"
54 – 1.1/4"
32 – 1.1/2"
42 – 2"
52 – 2.1/2"
62 – 3"

No suffix for standard valve
On request:
X8 – Version totally cleaned for gas passage
(NOT AVAILABLE FOR SIZE 1/8")

Connection:
G – BSP-P UNI/ISO 228
N – NPT- ANSI B1.20.1

Seal material:
0 – configuration as materials list

Note: the valve is available only with locking system