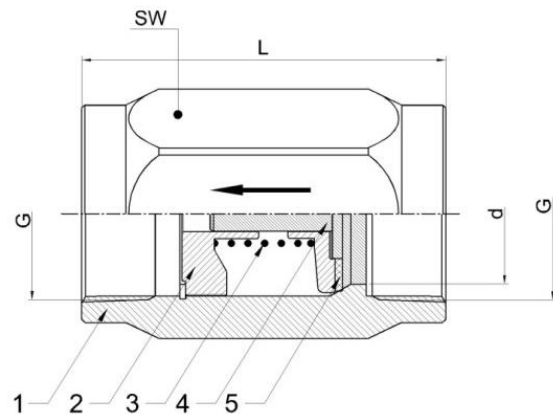


VRU-PG - ONE-WAY VALVE

Check valves made from bar stock – soft seals



		MATERIAL CHECK VALVE STANDARD (*)
1	Body	AISI 316 / 316L
2	Locking ring	AISI 316 / 316L
3	Spring	AISI 316 / 316L

		MATERIAL CHECK VALVE STANDARD (*)
4	Poppet	AISI 316 / 316L
5	Seal	FKM

AVAILABLE SEALS (*)					
	TYPE	CODE	NOTE	TEMPERATURE RANGE:	
Seal	FKM	0	Standard use	-23°C / +230°C	-10°F / +446°F
	PTFE	1	Recommended only for use with liquids	-200°C / +260°C	-328°F / 500°F
	EPDM	2	On Request	-40°C / +145°C	-40°F / 293°F
	NBR	3	On Request	-30°C / 110°C	-22°F / 212°F
	SILICONE	4	On Request	-60°C / 220°C	-76°F / 428°F
	FFKM	5	On Request	-10°C / 320°C	14°F / 610°F

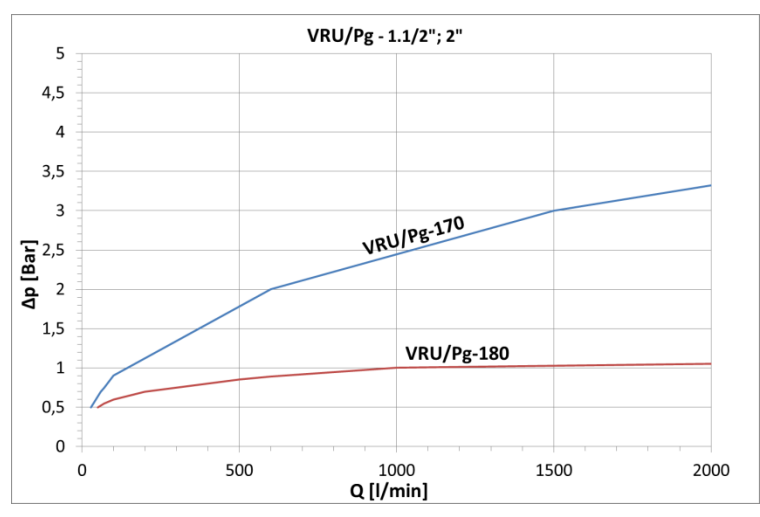
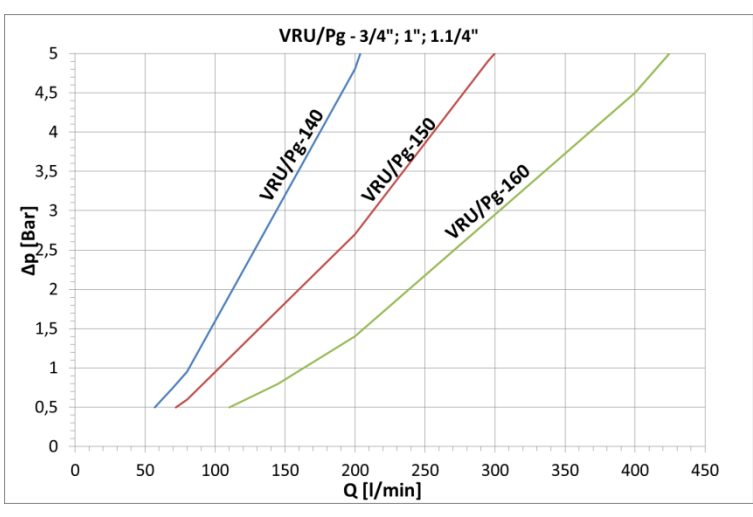
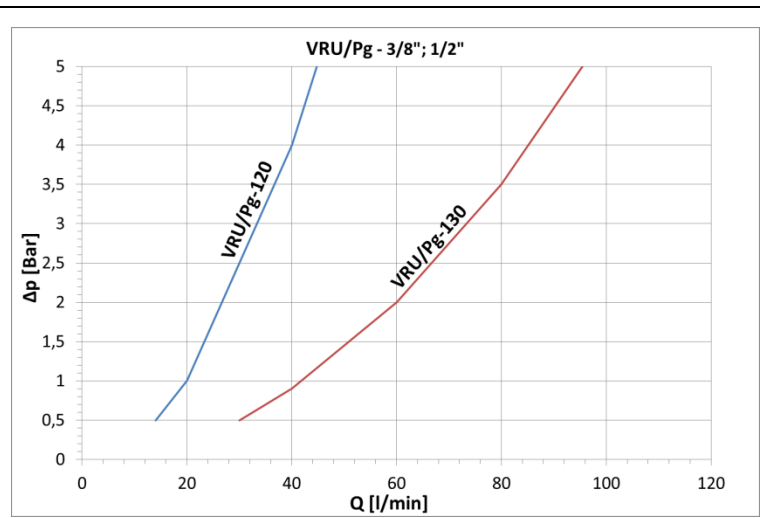
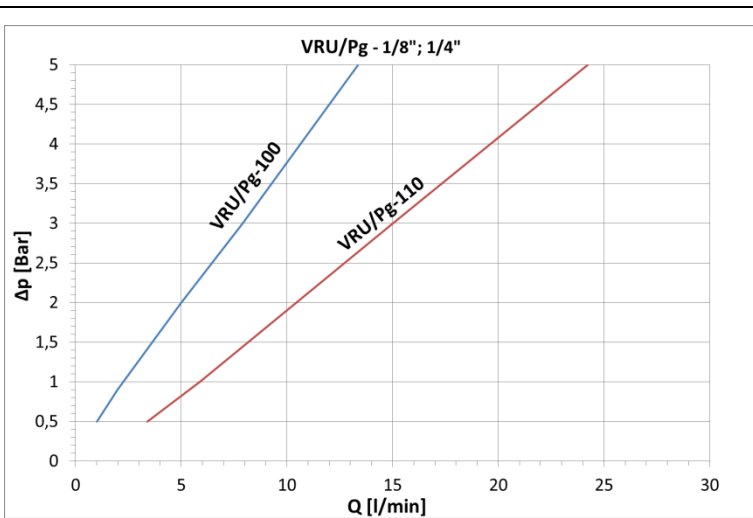
(*) See ordering code system (page 3)

RATING			THREAD BSP-P UNI/ISO 228	ORDER CODE	THREAD NPT ANSI B. 1.20.1	ORDER CODE	L [mm]	SW [mm]	Ø d [mm]
psi	bar	MPa							
6000	420	42	1/8"	VRU-PG-1180-G	1/8"	VRU-PG-1180-N	42	14	5
6000	420	42	1/4"	VRU-PG-1140-G	1/4"	VRU-PG-1140-N	50	19	7
6000	420	42	3/8"	VRU-PG-1380-G	3/8"	VRU-PG-1380-N	60	24	10
6000	420	42	1/2"	VRU-PG-1120-G	1/2"	VRU-PG-1120-N	65	27	11
4350	300	30	3/4"	VRU-PG-1340-G	3/4"	VRU-PG-1340-N	75	34	17
3600	250	25	1"	VRU-PG-1110-G	1"	VRU-PG-1110-N	93	41	21
3600	250	25	1.1/4"	VRU-PG-1540-G	1.1/4"	VRU-PG-1540-N	110	50	29
3600	250	25	1.1/2"	VRU-PG-1320-G	1.1/2"	VRU-PG-1320-N	112	55	34
3000	210	21	2"	VRU-PG-1420-G	2"	VRU-PG-1420-N	120	75	48

VERSION CLEANED FOR OXYGEN SERVICE (X8)



Pressure drop diagrams



HOW TO ORDER

VALVE DESCRIPTION:

VRU-PG - 1 14 0 - G - X8

Valve series

Material:

1 – AISI 316

Connection size:

18 – 1/8"

14 – 1/4"

38 – 3/8"

12 – 1/2"

34 – 3/4"

11 – 1"

54 – 1.1/4"

32 – 1.1/2"

42 – 2"

Options

No suffix for standard valve

On request:

X8 – Version totally cleaned for gas passage

Connection:

G – BSP-P UNI/ISO 228

N – NPT- ANSI B1.20.1

Seal material:

0 – FKM

1 – PTFE

2 – EPDM

3 – NBR

4 – SILICONE

5 – FFKM

ATTENTION standard opening pressure: 0.5 Bar.

Opening pressures different from standard are available on request.