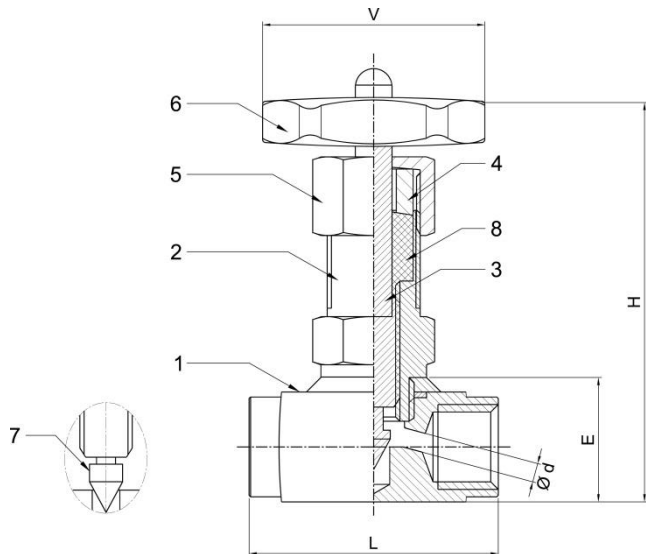


VIP – TWO WAY NEEDLE VALVE

Needle valves made from bar stock - 3000 psi – rotating tip



		MATERIAL NEEDLE VALVE STANDARD (*)
1	Body	AISI 316
2	Bonnet	AISI 316
3	Stem	AISI 316
4	Packing Nut	AISI 316

		MATERIAL NEEDLE VALVE STANDARD (*)
5	Nut	AISI 316
6	Handwheel	Polyamide based technopolymer (PA) reinforced glass (1)
7	Needle type rotating	AISI 316
8	Seal	PTFE (Teflon®) + graphite

	TEMPERATURE RANGE:
Seal	-25°C ÷ +200°C

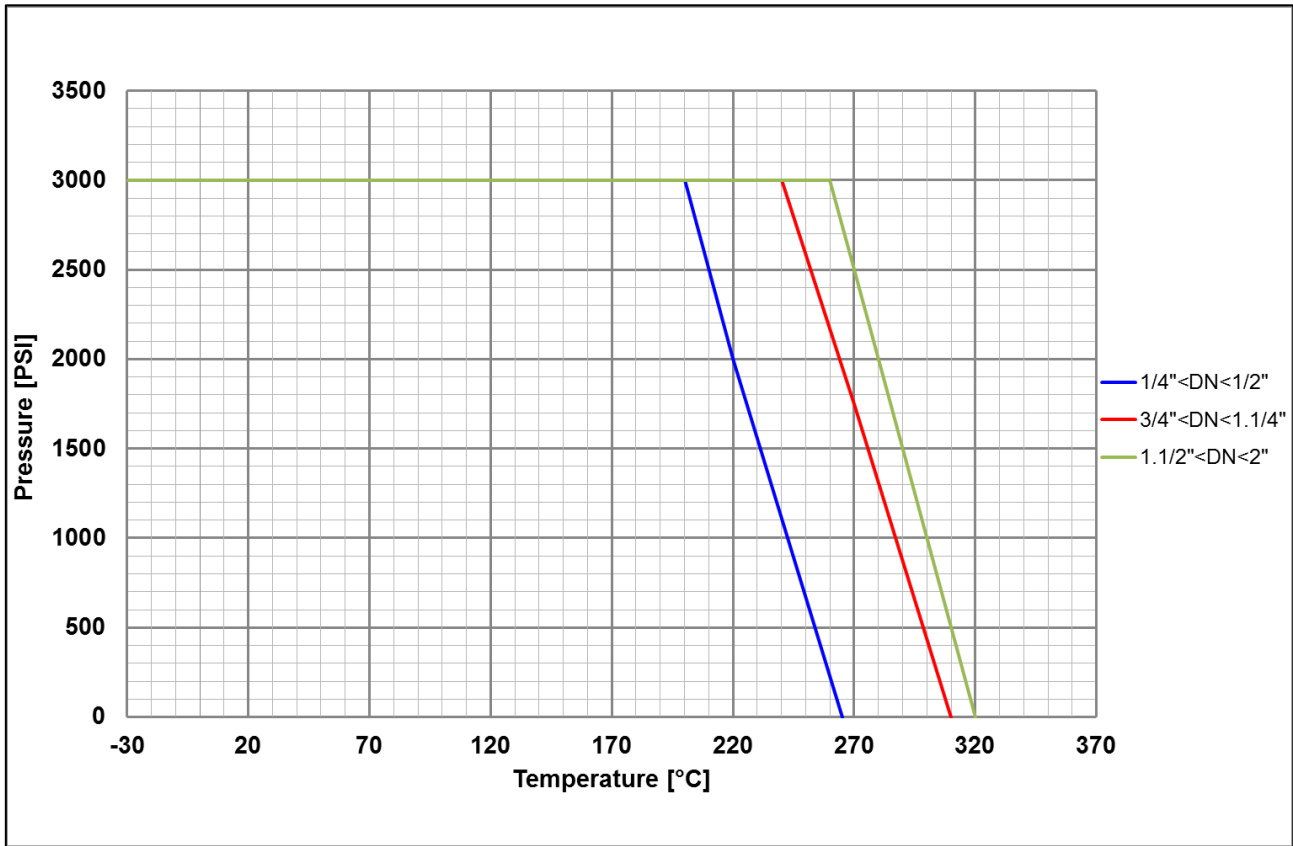
RATING psi	THREAD BSP-P UNI/ISO 228	ORDER CODE	THREAD NPT ANSI B.1.20.1	ORDER CODE	H closed [mm]	E [mm]	L [mm]	Ø d [mm]	V [mm]	Cv ⁽²⁾
3000	1/4"	VIP-1140-G	1/4"	VIP-1140-N	95.2	25	50	3	50	0.50
3000	3/8"	VIP-1380-G	3/8"	VIP-1380-N	100	30	55	4	63	0.75
3000	1/2"	VIP-1120-G	1/2"	VIP-1120-N	118	34	60	6	63	1.04
3000	3/4"	VIP-1340-G	3/4"	VIP-1340-N	123	40	70	8	63	1.85
3000	1"	VIP-1110-G	1"	VIP-1110-N	140.2	45	75	9	63	3.01
3000	1.1/4"	VIP-1540-G	1.1/4"	VIP-1540-N	165	57	90	11	100	4.62
3000	1.1/2"	VIP-1320-G	1.1/2"	VIP-1320-N	185	67	100	15	120	6.47
3000	2"	VIP-1420-G	2"	VIP-1420-N	195	78	120	18	140	7.63

(1) handwheel in blue alluminium for sizes: 1.1/4"; 1.1/2"; 2"

(2) calculated with water - horizontal flow - 20°C

(*) See ordering code system (page 3)

Pressure -Temperature Rating



HOW TO ORDER

VALVE DESCRIPTION:

