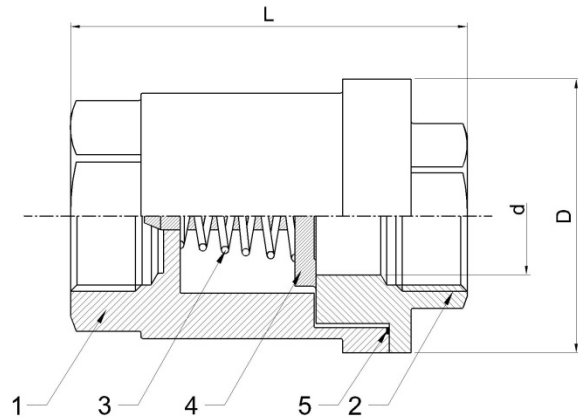


## VRM – CHECK VALVE FOR LIQUIDS

Non return valves made of investment casting – seat metal to metal



		MATERIAL CHECK VALVE STANDARD
1	Body	AISI 316
2	Adapter	AISI 316
3	Spring	AISI 316

		MATERIAL CHECK VALVE STANDARD
4	Poppet	AISI 316
5	Body seal	PTFE

	TYPE	CODE	USE	TEMPERATURE RANGE:
Sealing system	METAL TO METAL	M	STANDARD	-20°C ÷ +240°C

MAX WORKING PRESSURE [Bar]	THREAD Rp <i>UNI-EN 10226-1</i> <i>(Ex UNI/ISO 7/1 Rp - DIN2999)</i>	ORDER CODE	L [mm]	D [mm]	Ø d [mm]	Minimum Crackig Pressure [Bar]	Maximum Crackig Pressure [Bar]
63	3/8"	VRM-138M-G	53	30.5	10	0.06	0.07
63	1/2"	VRM-112M-G	56	37	15	0.05	0.06
63	3/4"	VRM-134M-G	63	42	20	0.05	0.06
63	1"	VRM-111M-G	74	48	25	0.04	0.05
63	1.1/4"	VRM-154M-G	81	58	30	0.03	0.04
63	1.1/2"	VRM-132M-G	91	70	38	0.02	0.03
63	2"	VRM-142M-G	97	82	47	0.02	0.03
63	2.1/2"	VRM-152M-G	118	102.5	61	0.02	0.03
63	3"	VRM-162M-G	138	120	75	0.02	0.03
63	4"	VRM-182M-G	158	150	94	0.02	0.03

<b>APPLICATION:</b>	<b>Check valve designed for liquids applications. Vertical installation is recommended.</b>
---------------------	---

## HOW TO ORDER

VALVE DESCRIPTION:

VRM – 1 14 M – G

Valve series

Material:  
1 – AISI 316

Connection size:

14 – 1/4"

38 – 3/8"

12 – 1/2"

34 – 3/4"

11 – 1"

54 – 1.1/4"

32 – 1.1/2"

42 – 2"

52 – 2.1/2"

62 – 3"

82 – 4"

Connection:

**G** - UNI-EN 10226-1  
(Ex UNI/ISO 7/1 Rp -DIN2999)

*On request:*

**N** – NPT- ANSI B1.20.1

Sealing mechanism:

**M** – seat metal to metal

*On request (\*):*

**0** – version with PTFE seal

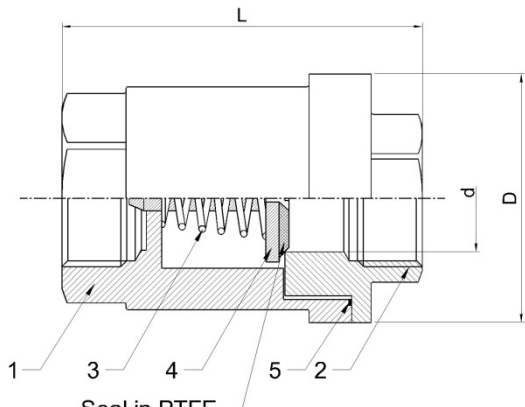
Temperature range: -20°C ÷ + 200°C

(\*) Available only for sizes:

- 1/2" (opening pressure 0.05 Bar)

- 3/4" (opening pressure 0.05 Bar)

- 1" (opening pressure 0.04 Bar)

ON REQUEST:	CODE
Version with PTFE seal	VRM-1 _ _ 0 - G
	
<p>Available articles: Valve size 1/2" = VRM-1120-G &lt;&gt; Valve size 3/4" = VRM-1340-G &lt;&gt; Valve size 1" = VRM-1110-G</p>	