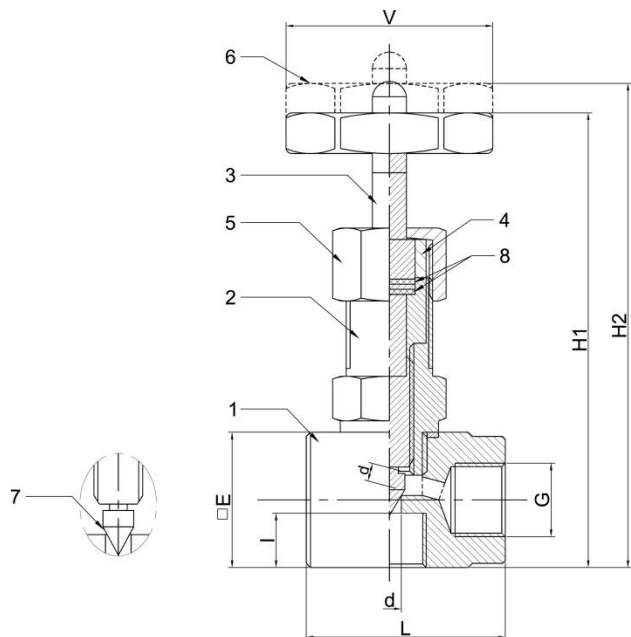


**VIE90 – TWO WAY NEEDLE VALVE – CONNECTIONS 90°**  
Needle valve made from bar stock - 3000 psi – not rotating tip



		MATERIAL VALVE AISI 316 Code 1'
1	Body	AISI 316
2	Bonnet	AISI 316
3	Stem	AISI 316
4	Packing Nut	AISI 316

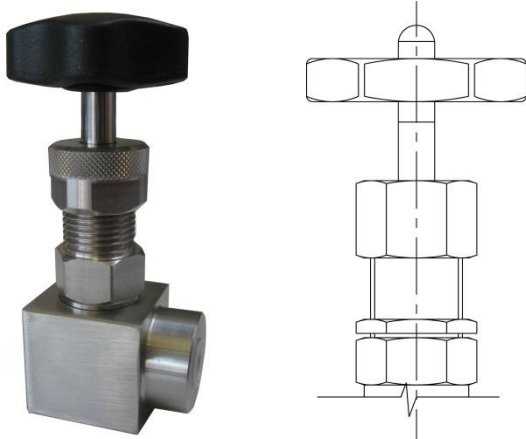

		MATERIAL VALVE AISI 316 Code 1'
5	Nut	AISI 316
6	Handwheel	PP
7	Needle type not rotating	AISI 316

		TYPE	CODE	USE	TEMPERATURE RANGE:
8	Seal	PTFE (Teflon®)	0	STANDARD	-25°C ÷ +200°C
		Graphoil®	6	ON REQUEST	-50°C ÷ +450°C(!)

RATING psi	THREAD BSP-P UNI/ISO 228	ORDER CODE	THREAD NPT ANSI B.1.20.1	ORDER CODE	L [mm]	Ø d [mm]	H1 [mm]	H2 [mm]	□E [mm]	Ø V [mm]	
3000	1/8"	VIE90-1180-G	1/8"	VIE90-1180-N	16	4	45	117	125	35x35	60
3000	1/4"	VIE90-1140-G	1/4"	VIE90-1140-N	16	4	45	117	125	35x35	60
3000	3/8"	VIE90-1380-G	3/8"	VIE90-1380-N	16	4	50	122	130	40x40	70
3000	1/2"	VIE90-1120-G	1/2"	VIE90-1120-N	16	4	50	122	130	40x40	70

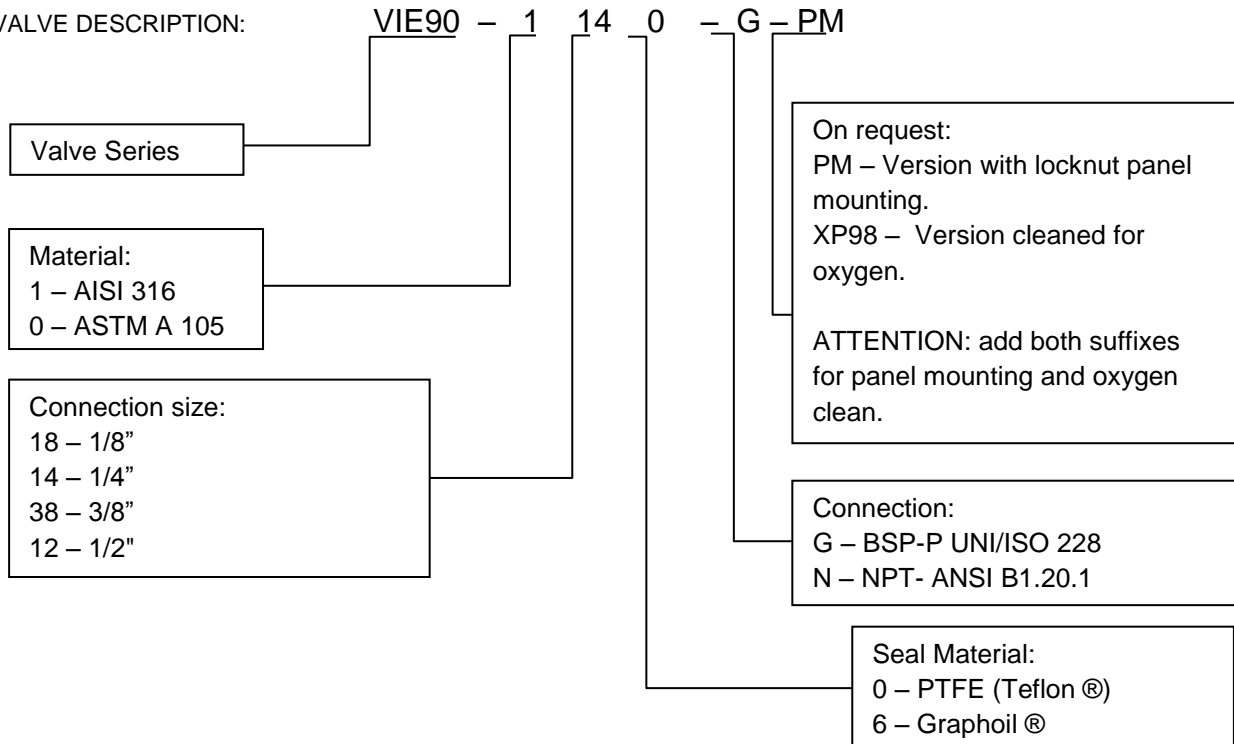
ON REQUEST:	CODE
Version made in galvanized carbon steel – ASTM A 105 with stainless steel interior painted and pressed steel handwheel. ATTENTION: some of the measures may be different from those indicated above.	VIE90-0..-
Version with locknut panel mounting	suffix code “ - PM”
Version cleaned for oxygen ( only for VIE in stainless steel).	suffix code “ - XP98”

(!) On request seal for temperature until 550°C

VERSION PANEL MOUNT (PM)	VERSION CLENED FOR OXYGEN SERVICE (XP98)
	

## HOW TO ORDER

VALVE DESCRIPTION:



For example to order valve 1/4” NPT AISI 316 with PTFE seal , with locknut panel mounting and cleaned for oxygen, the ordering code is VIE- 1140- N – PM – XP98.