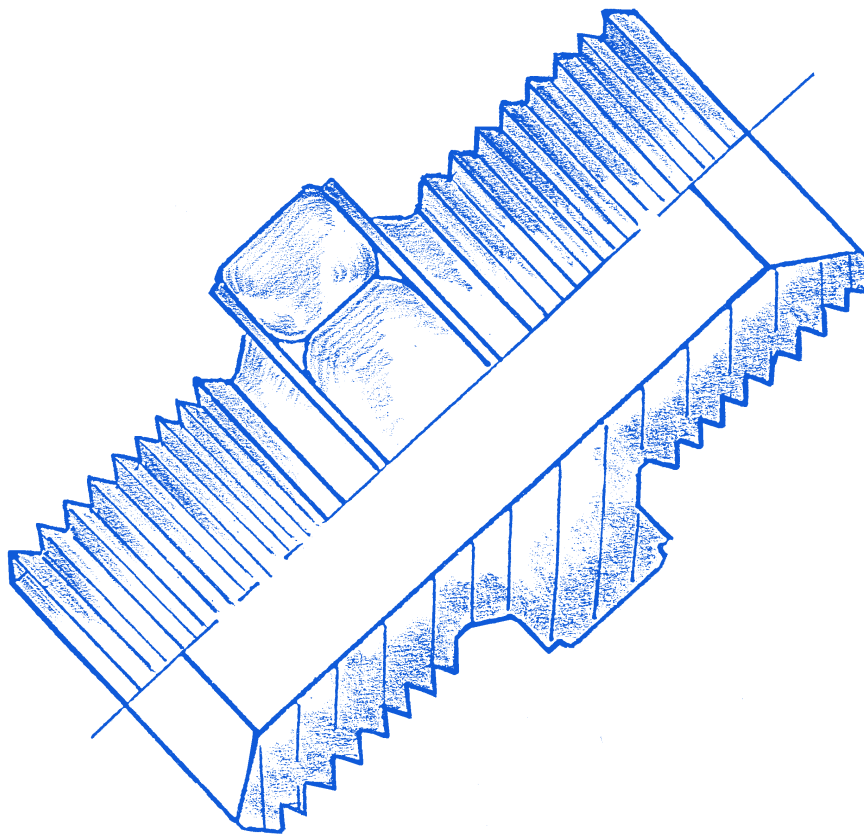




**FITTINGS AND ADPTERS ACCORDING TO ISO 8434-6
- BS5200
STAINLESS STEEL AISI 316/316L
SPECIAL ALLOYS**



COMING SOON